

scheppach

5906141901

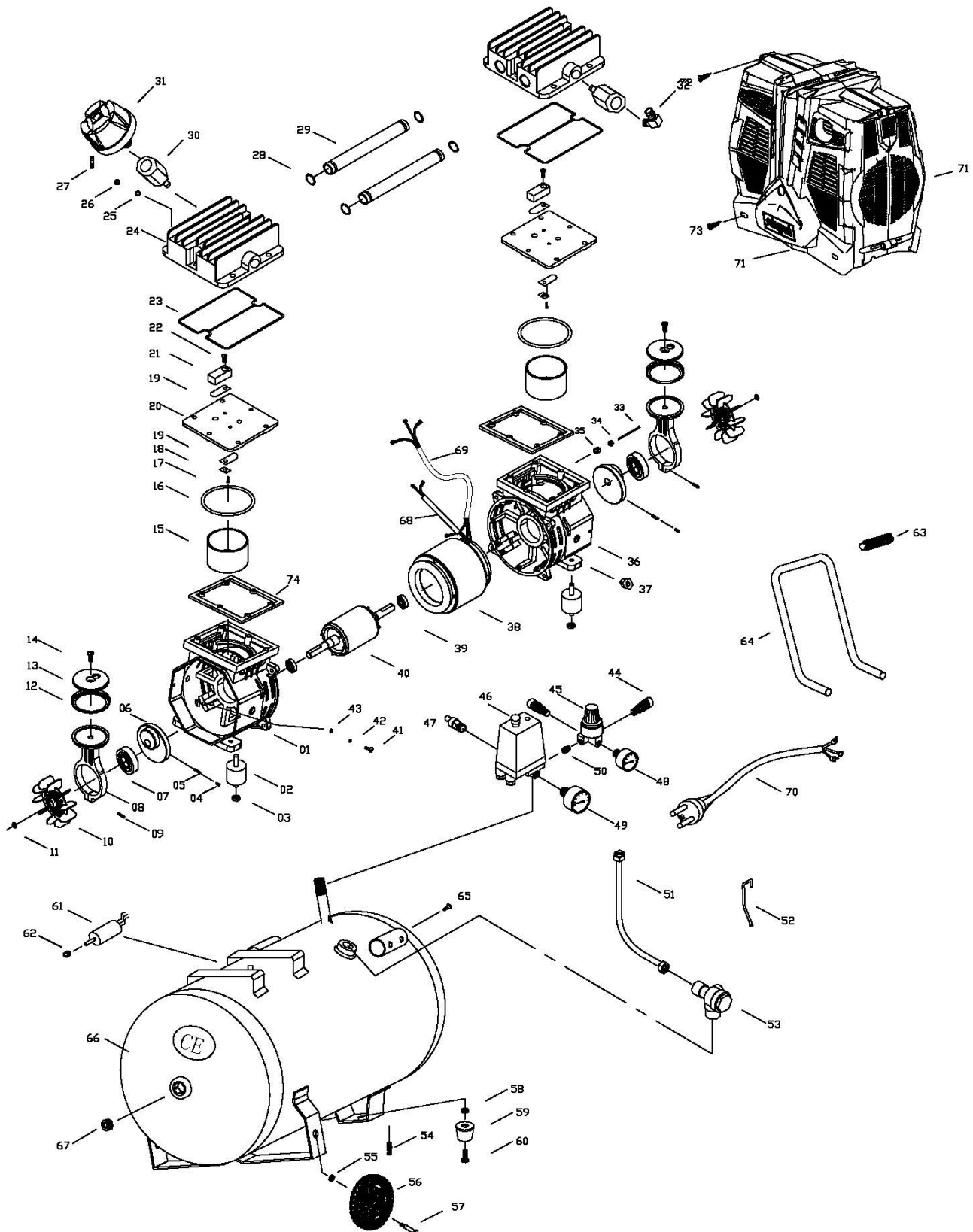
Compressor HC51Si
scheppach



Scheppach

5906141901

Compressor HC51Si
scheppach




Main products
Spare part list

5906141901

171830 - 0274 - HC51Si (Guangli) - -

Spare	Description	additional	Item	Abb.	ConstructStatus
5906140015	cushion pad	Ø26 x 33 / M6x10 / M6x11	2	A	*
5906140016	Connecting rod cpl.		8,9,12-14	A	*
5906140017	fan	Ø115 / Ø14 x 43	10	A	*
5906130006	sealing		16	A	*
5906130009	head cover gasket		23	A	*
5906131026	Cylinder Head with Gasket		23	A	*
5906140018	o-ring	Ø13,5 / Ø9,5 x 2	28	A	*
5906130012	connecting tube		29	A	*
5906140019	connection	SW 17 / G1/4" außen / G1/4" innen / 26,5 lang	30	A	*
5906140020	air filter with hose	1/4" Gewinde	31	A	*
5906140021	elbow	M14 x 1,5 / 1/4"	32	A	*
5906140022	stator		38	A	*
5906140023	rotor		40	A	*
5906131011	quick coupling part 43	G 1/4"	44	A	*
5906136049	regulator		45	A	*
5906131016	pressure switch		46	A	*
5906131017	safety valve part 49	8 bar	47	A	*
5906131013	pressure gauge	8bar Ø42mm	48	A	*
5906131015	prssure gauge	8bar Ø52mm	49	A	*
5906131014	connector	1/4" x 1/4"	50	A	*
5906140024	Exhaust pipe	2x M14 x 1,5	51	A	*
5906140025	unloading pipe	Ø6 / G1/8"	52	A	*
5906131018	check valve	1/8" x 3/8" x M14x1,5	53	A	*
5906131023	drain valve	G1/4" (Ø13,15mm)	54	A	*
5906140026	nut		55	A	*



Main products

Spare part list

5906141901

171830 - 0274 - HC51Si (Guangli) - -

Spare	Description	additional	Item	Abb.	ConstructStatus
5906140027	wheel	Ø175 / 12,3 x 36	56	A	*
5906140028	bolt	M10x50 / Ø11.8 x 35	57	A	*
5906140029	Rubber foot cpl.	Ø53 / 8,5 / M8x20	58-60	A	*
5906140030	capacitance	450V / 30µF / Ø41 x 120 / M8	61	A	*
5906140031	handle with handle sleeve		63	A	*
5906140032	electric wire		68	A	*
5906140033	electric wire		69	A	*
5906125016	power cord with eu-plug part 55	H05VV-F 3X1.0m² 2000m	70	A	*
5906140034	protective cover		71	A	*